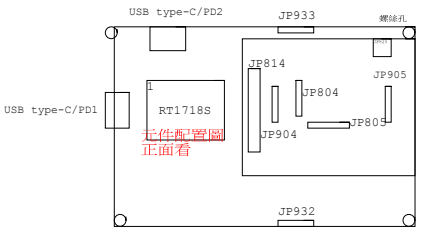
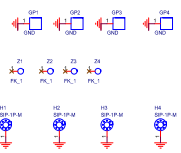
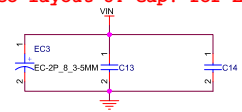


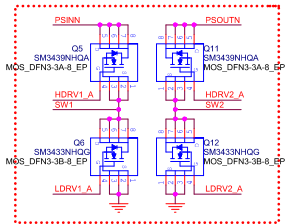
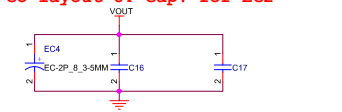
RT1718S I2C Address in 7-bit
 RT1718S000 0x40
 RT1718S001 0x41
 RT1718S002 0x42
 RT1718S003 0x43



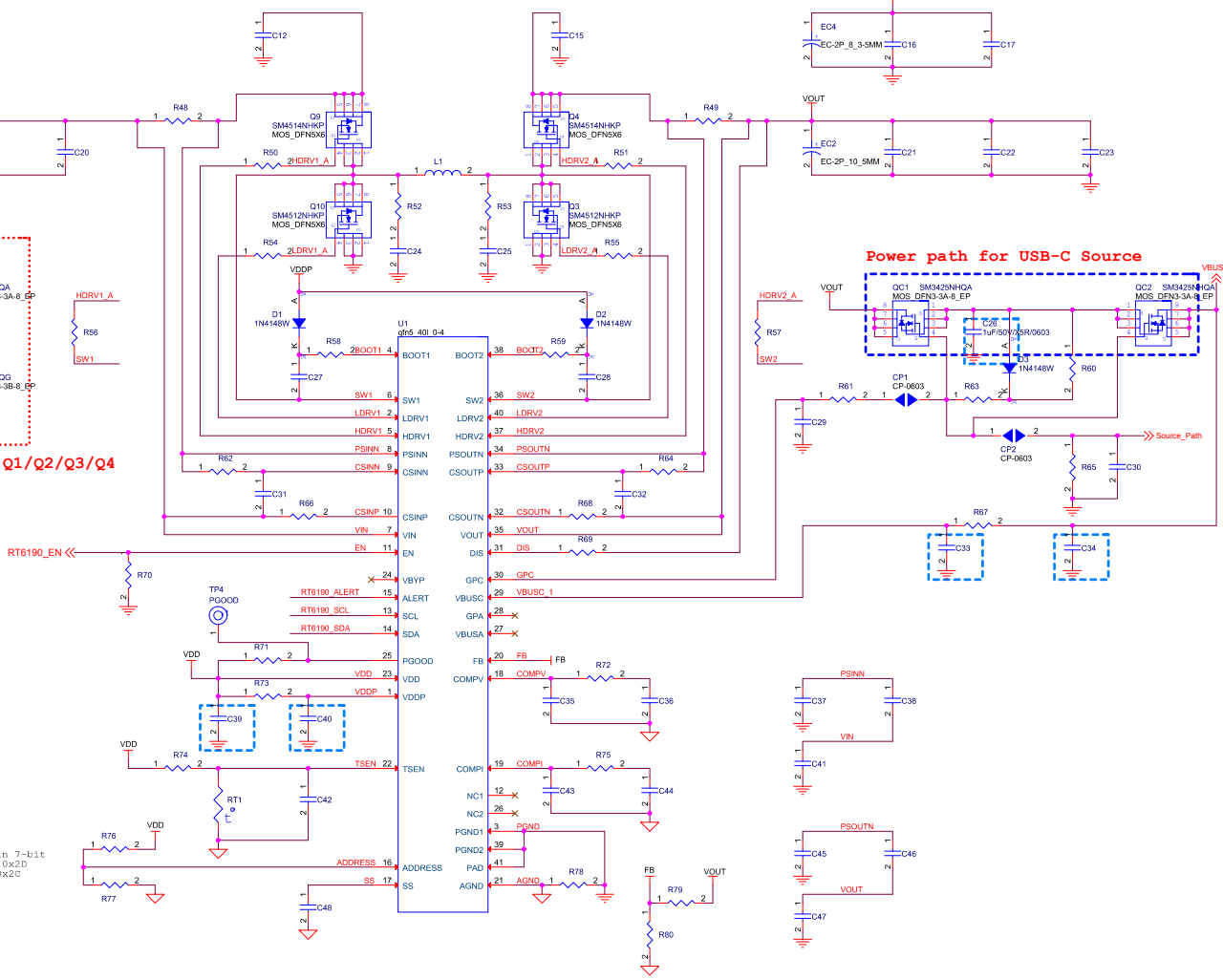
Co-layout 8 ϕ cap. for EC1



Co-layout 8 ϕ cap. for EC2

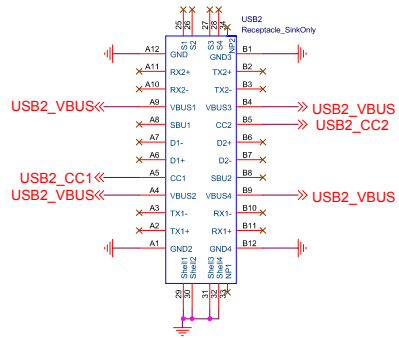


Co-layout 3x3 MOS for Q1/Q2/Q3/Q4
 Q5 -> Q1, Q6 -> Q2
 Q7 -> Q3, Q8 -> Q4

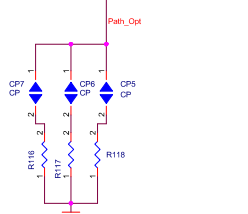
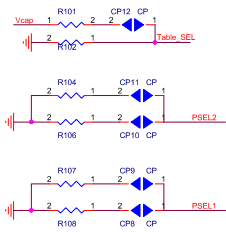


RT6190 I2C Address in 7-bit
 ADDRESS=high 0x2D
 ADDRESS=low 0x2C

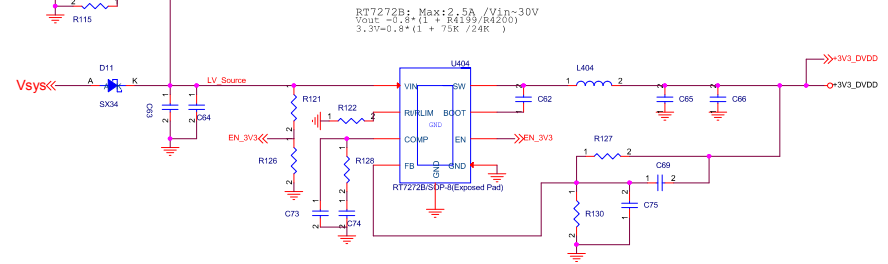
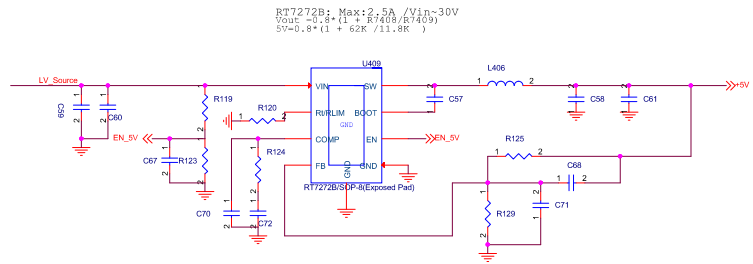
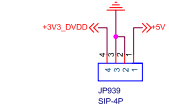
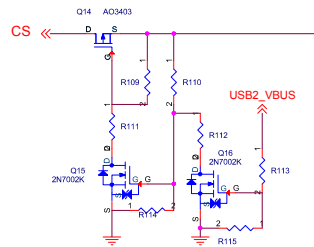
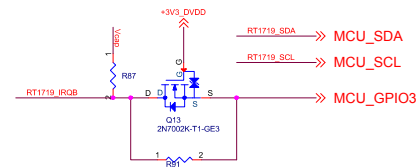
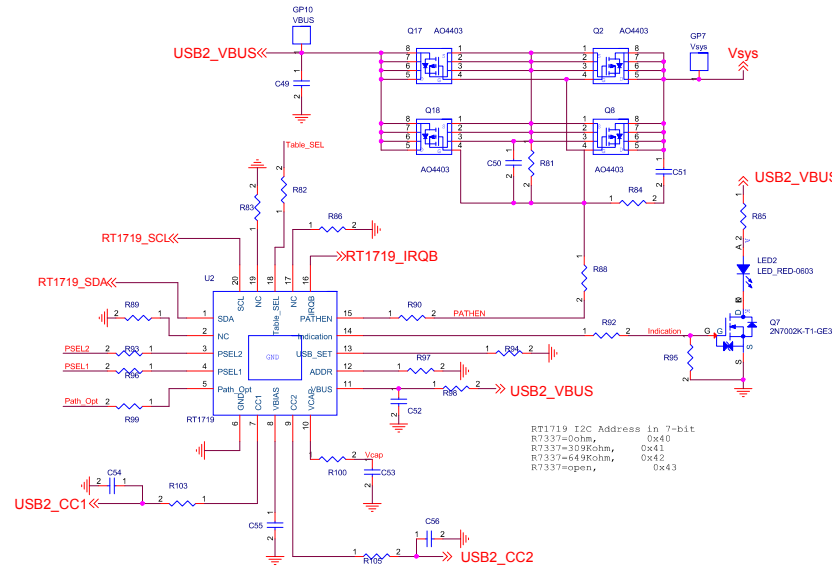
- VIN ->> Vsys
- RT6190_SDA ->> MCU_SDA
- RT6190_SCL ->> MCU_SCL
- RT6190_ALERT ->> MCU_PA6



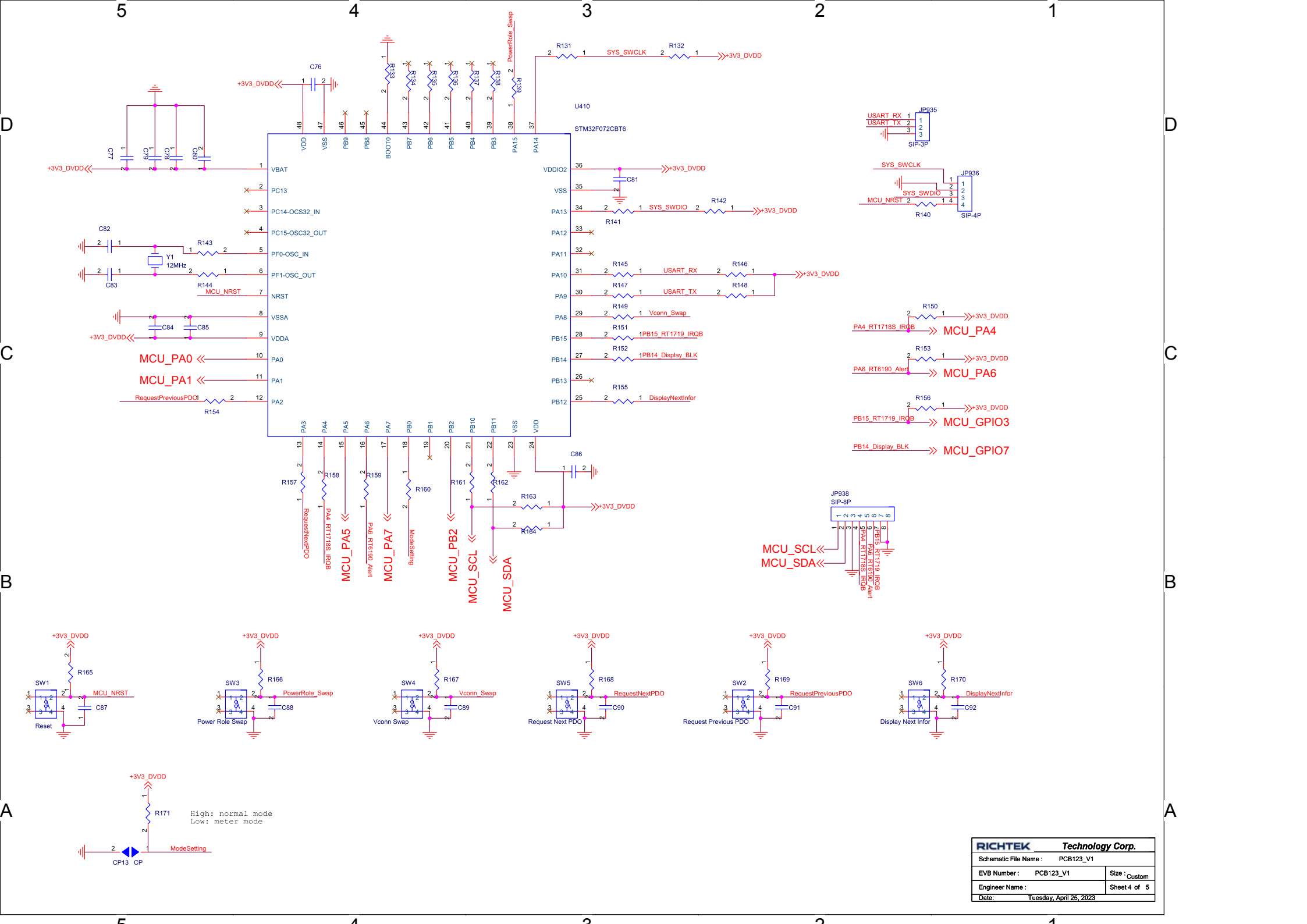
RT1719 Power Setting
 Table_SEL, PSEL2, PSEL1
 Normal Mode=0, 011, 010
 Meter Mode=1, 100, 010



RT1719 Path Option
 Option0 R7393
 Option1 R7394
 Option5 R7395

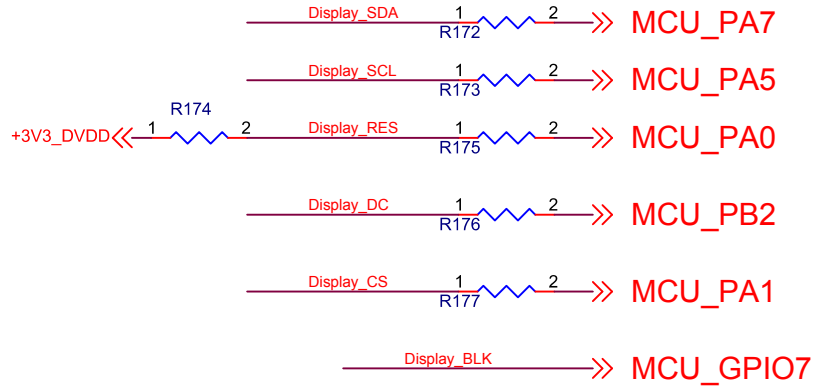
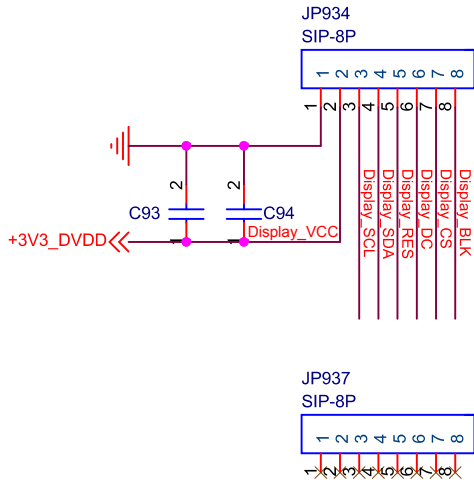


RICHTEK Technology Corp.	
Schematic File Name : PCB123_V1	
EVB Number : PCB123_V1	Size : Custom
Engineer Name :	Sheet 3 of 8
Date : Tuesday, April 24, 2024	



RICHTEK Technology Corp.	
Schematic File Name : PCB123_V1	
EVB Number : PCB123_V1	Size : Custom
Engineer Name :	Sheet 4 of 5
Date: Tuesday, April 25, 2023	

Modul Dimension:
 Length = 30mm
 width= 24mm



RICHTEK Technology Corp.	
Schematic File Name : PCB123_V1	
EVB Number : PCB123_V1	Size : A4
Engineer Name :	Sheet 5 of 5
Date:	Tuesday, April 25, 2023

More Information

For more information, please find the related datasheet or application notes from Richtek website <http://www.richtek.com>.

Important Notice for Richtek Evaluation Board

THIS DOCUMENT IS FOR REFERENCE ONLY, NOTHING CONTAINED IN THIS DOCUMENT SHALL BE CONSTRUED AS RICHTEK'S WARRANTY, EXPRESS OR IMPLIED, UNDER CONTRACT, TORT OR STATUTORY, WITH RESPECT TO THE PRESENTATION HEREIN. IN NO EVENT SHALL RICHTEK BE LIABLE TO BUYER OR USER FOR ANY AND ALL DAMAGES INCLUDING WITHOUT LIMITATION TO DIRECT, INDIRECT, SPECIAL, PUNITIVE OR CONSEQUENTIAL DAMAGES.

Richtek Technology Corporation

14F, No. 8, Tai Yuen 1st Street, Chupei City

Hsinchu, Taiwan, R.O.C.

Tel: (8863)5526789

Richtek products are sold by description only. Richtek reserves the right to change the circuitry and/or specifications without notice at any time. Customers should obtain the latest relevant information and data sheets before placing orders and should verify that such information is current and complete. Richtek cannot assume responsibility for use of any circuitry other than circuitry entirely embodied in a Richtek product. Information furnished by Richtek is believed to be accurate and reliable. However, no responsibility is assumed by Richtek or its subsidiaries for its use; nor for any infringements of patents or other rights of third parties which may result from its use. No license is granted by implication or otherwise under any patent or patent rights of Richtek or its subsidiaries.